

ROBO-TEK



LDS Robot Vacuums Manual

Pls read this manual carefully before use it. Pls keep it properly.

Thank you for your buy of the floor cleaning robot ! I hope you enjoy it.

Due to the continuous improvement of the product, this product shall prevail in kind, and our company reserves the right to update the product.

Safety norms

Please keep a constant vigilance when using the product.
Please read this manual carefully and keep it properly before using the product.

Caution

1. In view of the problems that may occur in the cleaning of the product, the power line and small items on the ground should be eliminated as soon as possible to avoid the obstruction of the product in the cleaning process, and the edge spike of the carpet will be folded under the carpet. And keep drapes, tablecloths, etc. off the ground.
2. If there is a hanging environment such as stairs, please first test the product to see whether it can detect the edge of the hanging area without falling. Protective control should be set on the edge of the hanging area to prevent the product from falling, and ensure that the protective equipment will not cause personal injury such as tripping
3. Please use the product according to the instructions in the manual. Only use the accessories recommended or sold by the manufacturer.
4. Ensure that the power supply voltage meets the voltage marked on the charging socket.
5. Before using the product, ensure that the dust box and filter material are installed in place.
6. If the power cable is damaged, it must be replaced by professionals from the manufacturer, its maintenance department or similar department to avoid danger.
7. Turn off the product switch before cleaning and coning the product.
8. Remove the plug from the power socket before cleaning and maintaining the product.
9. Before discarding the product, please remove the product from the charging socket, turn off the power switch of the product and take out the battery.
10. If you do not use the product for a long time, please power off the product. He could have caused the fire.
11. Before discard the product, remove and discard the battery in accordance with local laws and regulations.
12. Dispose the old battery in accordance with local laws and regulations.
13. The product should not be used by children under 8 years old or people with mental disorders. If you want to use it, please do not let children sit on the product and play with the product as a toy.
14. Only use in indoor home environment, do not use in outdoor, commercial and industrial places
15. Do not use the product in the baby room.
16. Do not Use the damaged power cord or power socket When the product cannot work properly due to drop, damage, use outside the room or water, do not use the product. To avoid injury, the manufacturer, authorized distributor or professionals from similar departments must repair the product
17. Please use the products in accordance with the instructions. The company will not be liable for any loss or injury caused by improper use of the products

Warning

1. Only use the original charging seat specially equipped by the manufacturer. Users are not allowed to replace the battery without permission. If the battery is suspected to be damaged, contact the manufacturer, authorized distributor or a professional from a similar department for replacement.
2. Do not use the product in annular olive with open flame or fragile items. .
3. It is forbidden to use the product in the ring collision of extremely hot < above 40 °C or extremely cold < below 0 °C
4. Human hair, clothes, fingers and other parts shall not be near the opening and operating parts of the product.
5. Do not use the product on wet or stagnant ground.
6. It is forbidden for the product to absorb any items that may block the product, such as stones and waste paper.
7. Do not absorb any flammable substances, such as gasoline, toner and toner for printers or photocopies
8. Do not use products in clean areas with flammable materials.
9. Do not absorb any burning items, such as cigarettes, matches, ashes and so on
10. Do not place items in the suction hole. Do not use the product when the plug of the suction hole is placed. Clean the dust, cotton wool and hair at the suction port to ensure smooth air circulation at the suction por
11. Use the power cable carefully to avoid damage. Do not use the power cable to drag and pull the product and the charging seat of the product, do not use the power cable as a handle, do not clip the power cable in the door, do not pull the power cable at sharp corners and corners, and do not allow the product to run on the power supply.
12. Do not use a damaged charging seat. If the charging seat is damaged, it should be repaired by the manufacturer or its after-sales department in order to avoid danger. It is forbidden to burn the product even if it has been seriously damaged because the battery may explode.

Discard batteries

If you want to discard the battery in this machine, please do not throw it away together with the household garbage, but to the nearest waste old battery recycling station or Boring branch or after-sales service center for centralized treatment. The following instructions are not for general users, but for the final battery disposal instructions.

The chemicals IN the built-in battery of this machine will pollute the environment. Please take out the battery in the body in advance before the waste disposal machine. The battery should be sent to the professional battery recycling point for centralized disposal.

Be careful! Battery leakage exudates can cause damage to human body. If battery leakage exudates, make sure to keep them away from eyes or skin.

In case of contact, wash your hands immediately with clean water and wash your eyes. If you still feel uncomfortable, seek medical advice immediately.

Remove the battery

The following information is applicable only when discarding the robot and is not a routine operation instruction

Remove the battery only when the battery is completely drained

Under no circumstances should batteries come into contact with metal objects.

The steps to remove the battery are described below

Allow the robot to run completely without touching the charging dock

Turn off the robot power switch

Remove the screws from the battery cover

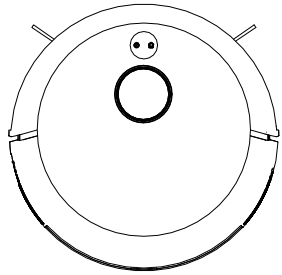
Remove battery cover E

Unplug the battery connector and remove the battery.

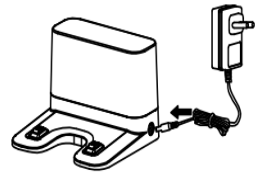
Catalogue

1. Package contents	6	3. 2 Roll brush and side bursh	16-17
1.1 Product composition	6	3.3 Electrode pad, Anti-drop sensor, bumper	17-18
1.2 Part name	7	3.4 Drive wheel and universal wheel	18
1. 3 Part name	8	4. Light effect and alarm prompt	19
2. Product application	9	5. Troubleshooting of common problems	20-21
2.1 Note	9	6. Product parameter	22
2.2 Robot charging	10-11		
2.3 Wifi connectedanAPP	12		
2.4 Robot operation	13		
2.4.1 Start cleaning	13		
2.4.2 Pause/wake up, shutdown	14		
3. Parts maintenance			
3.1 Dustbin and filter materials	15		

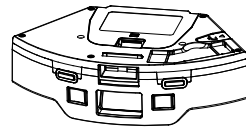
1. Product composition / 1. 1 Packaging included



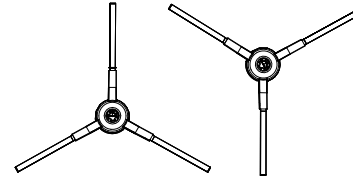
Robot vacuum



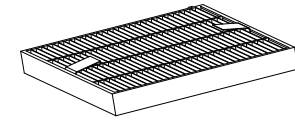
Charge base



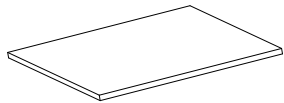
Dust water tank
2 in 1



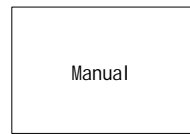
Side brush



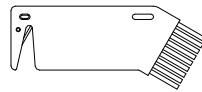
HEPA filter



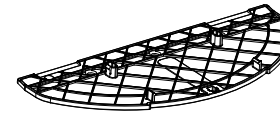
Sponge



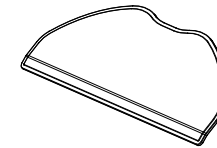
Manual



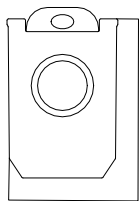
Knife tool



Mopping shelf



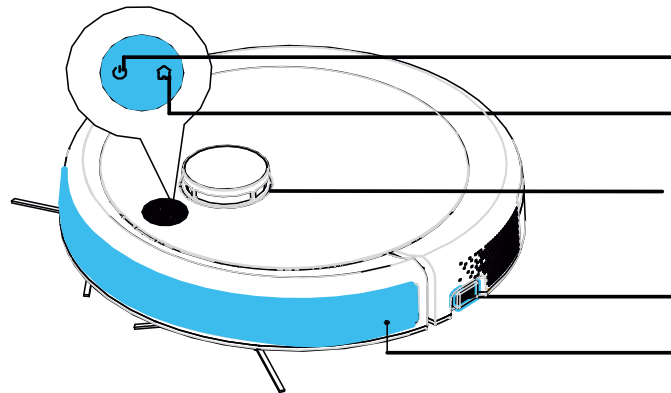
Mop cloth



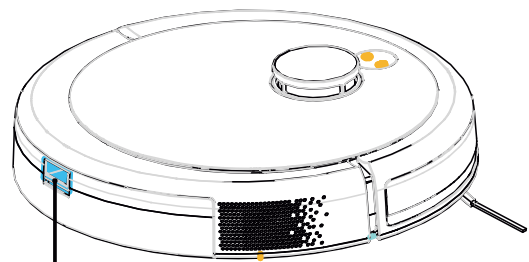
Dust bag

1. Product composition / 1.2 Parts name

Robot front side

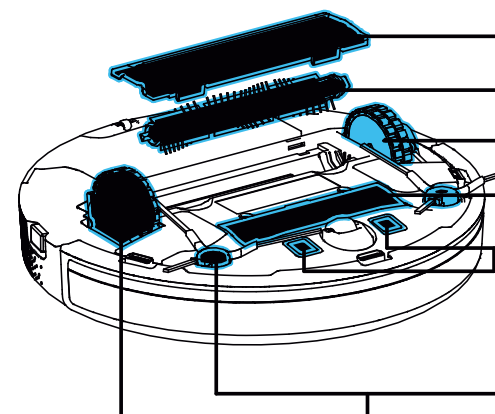


- Start/Pause button
- Recharge button
- Lidar navigation module
- Switch on/off
- Bumper

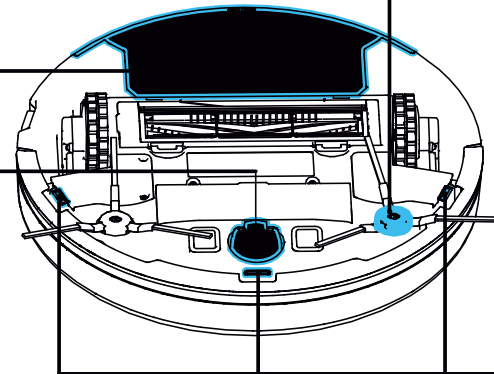


- Dustbin button

Robot back side



- Roller brush cover module
- Roller brush module
- Right wheel
- Battery cover
- Robot electrode pads
- Side brush

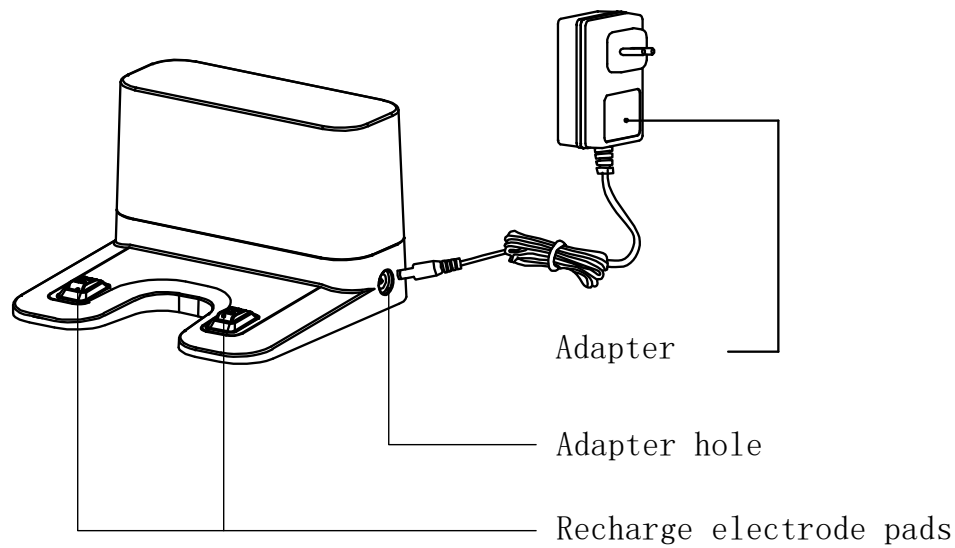


- Dustbin
- Universal wheel

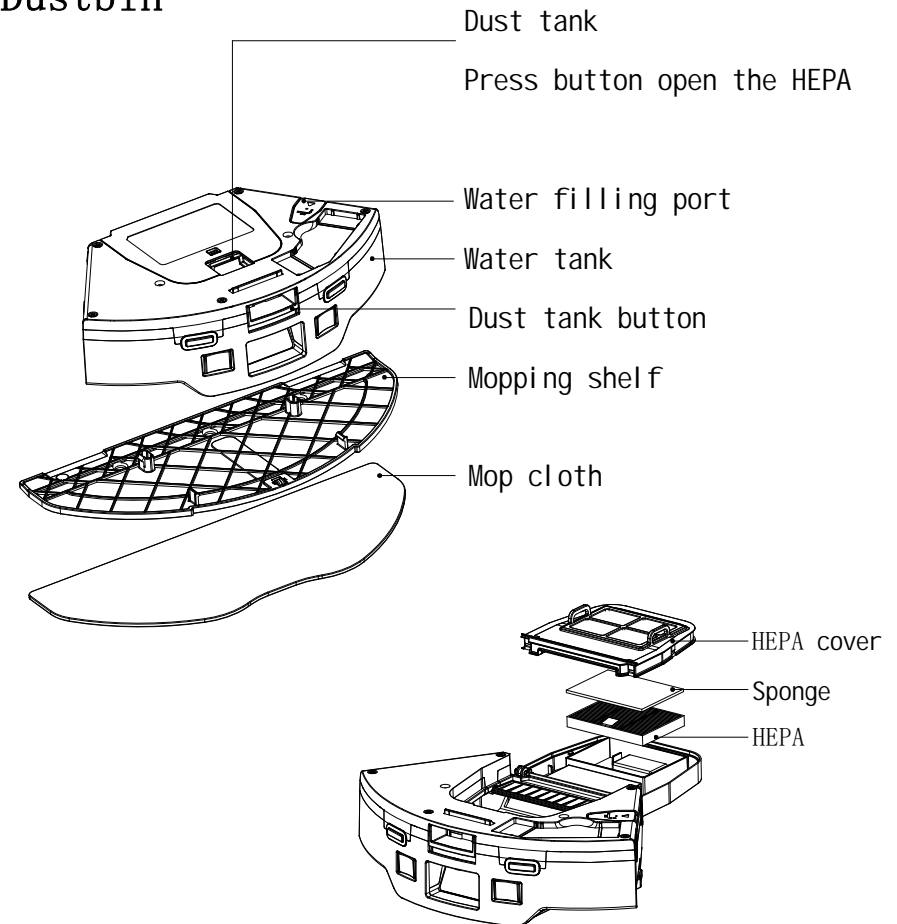
- Anti-drop sensor modules

1.Product composition/1.3 Parts name

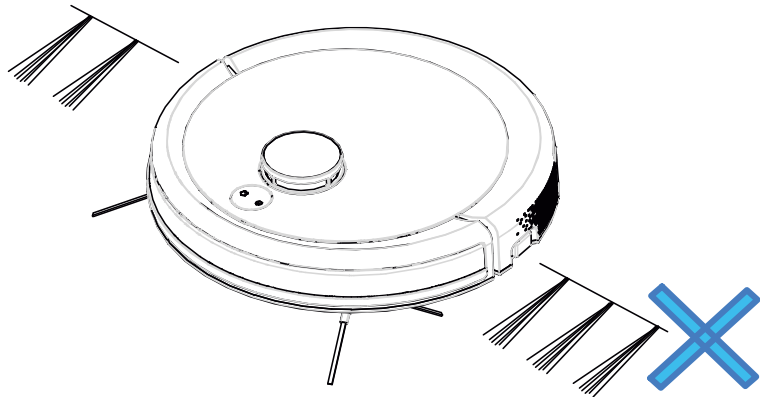
Charge base



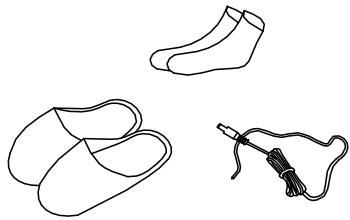
Dustbin



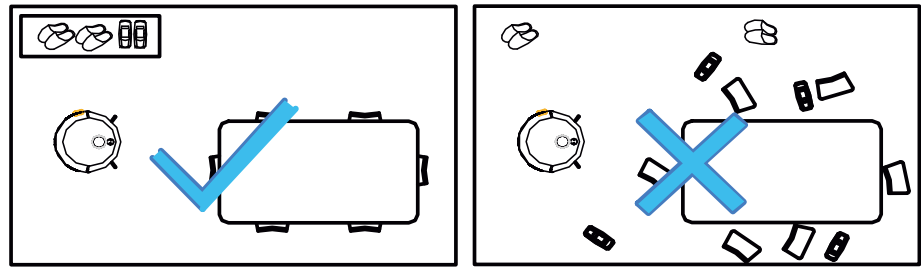
2. Product usage /2. 1 Note



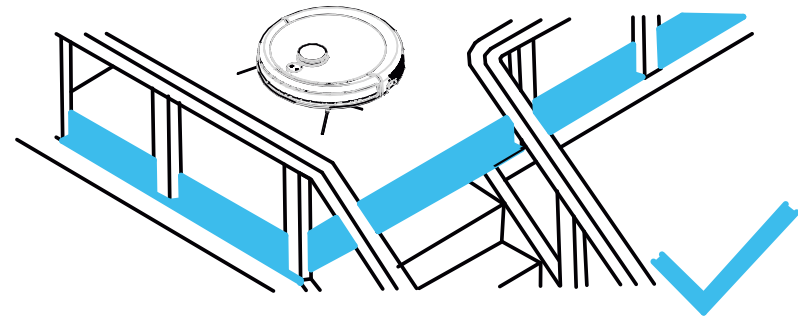
If the carpet in your home has tassels, please roll the edges under the carpet in advance



Remove the low sundries on the ground that may affect the normal operation of the host, such as wires, toys, etc



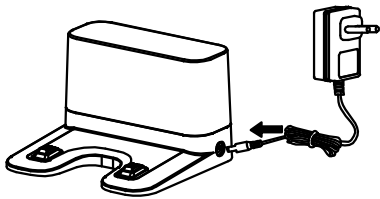
Before cleaning, please put the furniture and sundries such as tables and chairs in order to leave the largest cleaning space



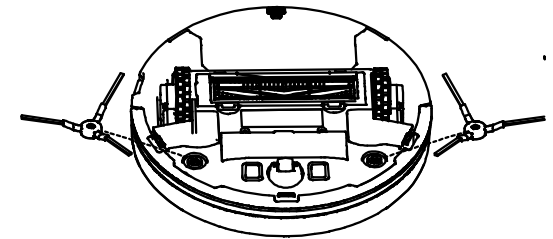
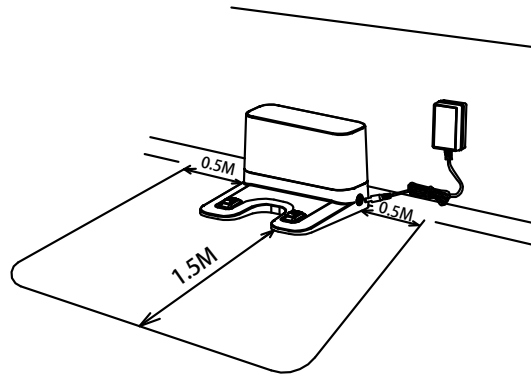
If the robot is performing tasks at the entrance of the double staircase, the edge of the step or the entrance of the narrow area in the home, please place a protective fence to ensure its safety and smooth operation

2.Product usage/2.2 Robot charging

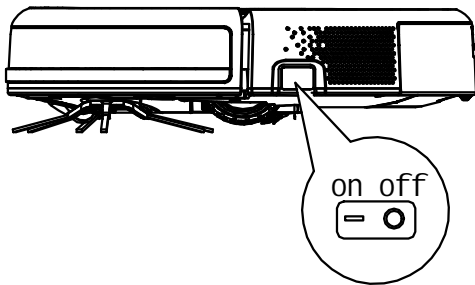
● Connect adapter



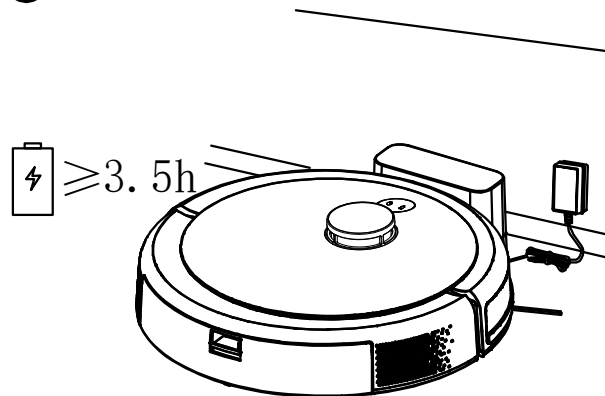
● put charge base in position, Connect adapter ● Fix side brush



● Switch on “-”

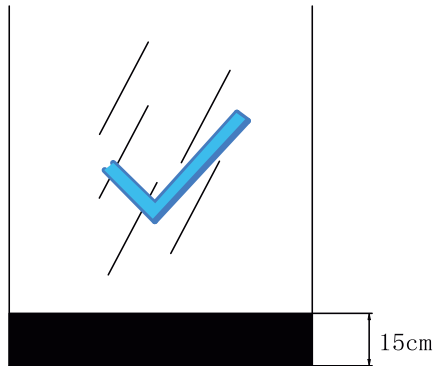


● Put robot charging on charge base. 3-4 hours full first time

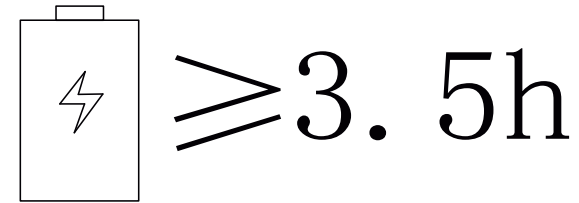


! Charging note:

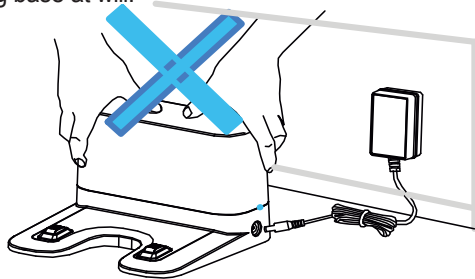
1 The charging base can not be used in direct sunlight and near mirrors. If there are objects with strong reflection, if there are objects with strong reflection, please cover the bottom 15cm high



2 To ensure the normal working time of the host, please fully charge it before use. The charging time is 3-4 hours
Pls make sure robot power switch on before charging.



3 For better cleaning and better return to the charging stand, please do not move the charging base at will.



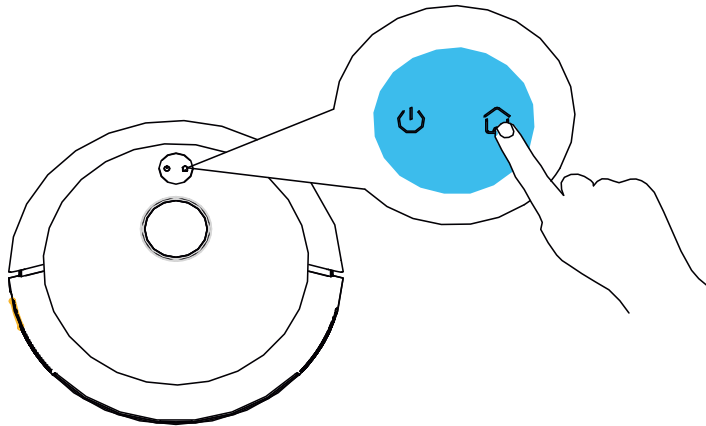
2. Product usage /2.3 Wifi connected and App operation

① Wifi connected

Method 1: scan the QR code at the bottom of the machine and operate according to the app reminder

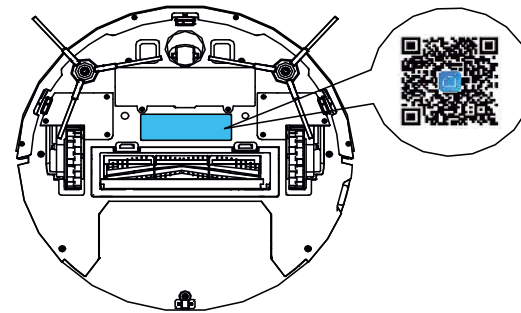
Method 2: after long pressing the recharge key for 3S, release it after hearing the prompt voice, open the app and manually select the sweeping robot, Bluetooth + Wi Fi , Wi Fi and Bluetooth can be operated in different allocation network modes.

Method 3: long press the recharge key for 5S, release it after hearing the prompt voice, and the machine enters AP allocation network.



② App operation

Kindly reminder: This product can use mobile APP remote control, scheduled cleaning, cleaning mode experience, etc. Please experience the product function according to the following instructions or the guidance in the APP interface



Kindly reminder



1. The app requires the mobile phone system version (z) IOS 9.0 and above, Android 4.0 and above , please pay attention to updating the mobile phone system version before using the app.
2. The app may be updated, and the latest app interface shall prevail.

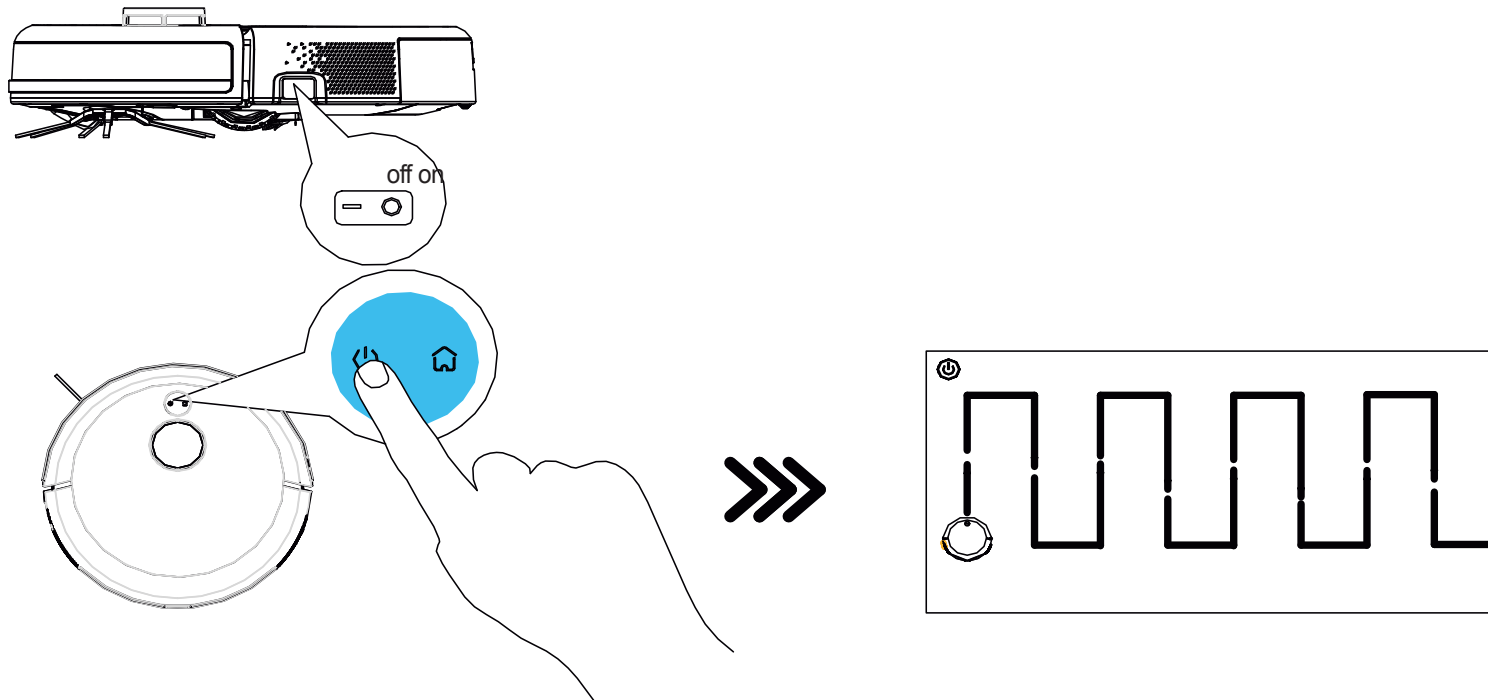
2. Product usage / 2.4 Robot operation

For different cleaning needs, this product has a variety of cleaning methods to choose from. You can start various cleaning methods through the robot or app

2.4.1 start cleaning


Applicable scenario: the most commonly used cleaning method. The host machine cleans the whole house with a bow shaped path according to the actual home environment. Setting method:



1. Turn on the power supply on the side of the machine body, press the  key of the main machine, and the main machine will start automatic cleaning
2. In the standby mode, press the robot  key, and the robot starts automatic cleaning



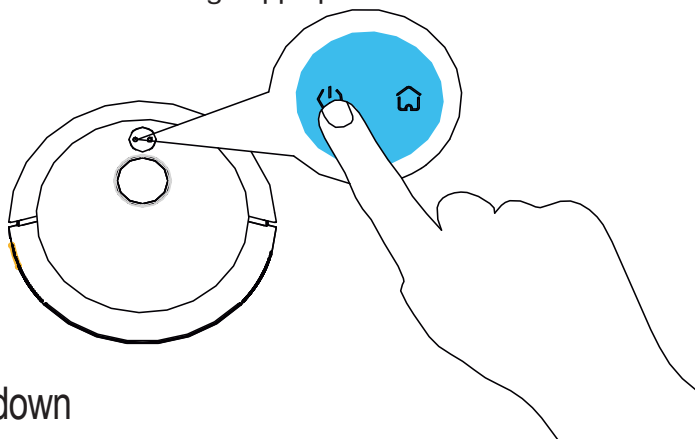
2. 4. 2 pause / wake up 、 Shutdown

① pause / wake up

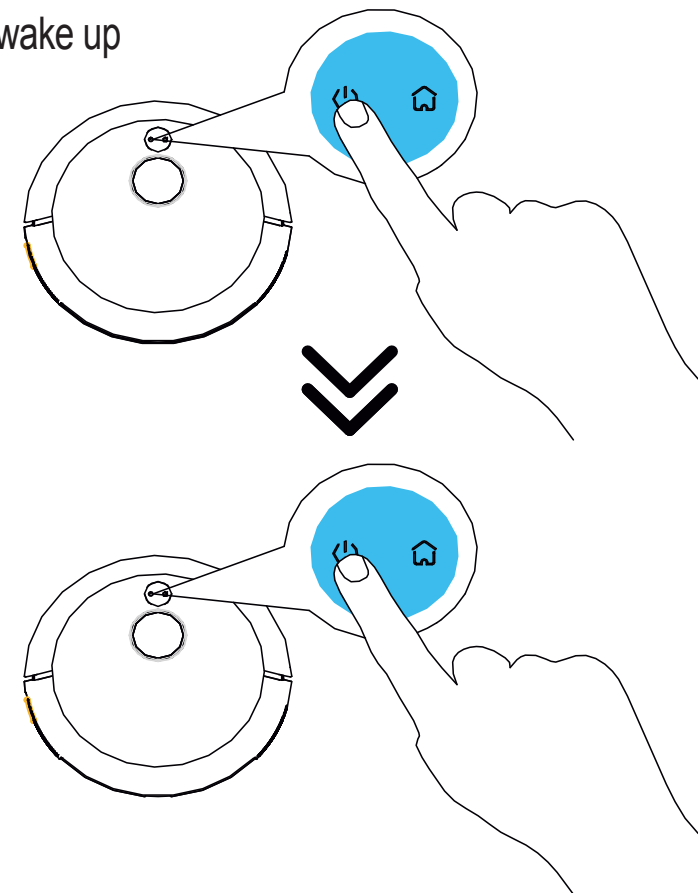
When the product is working, press the robot  key to pause the host

After the pause for more than 10 minutes, all the indicator lights on the robot panel are off. If you need to start the work again, please briefly press the  key to wake up the host. After the indicator light is on, press the  key again to start the host to continue the original work, or directly start the host through app operation

pause



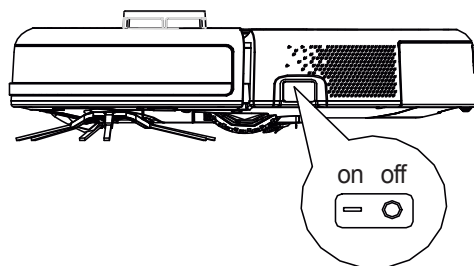
wake up



② Shutdown

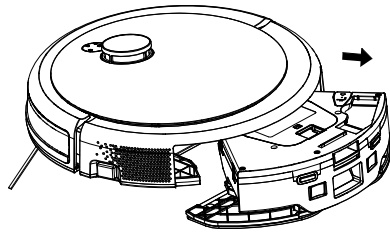
After the robot stops working, turn the power on switch on the side of the host to "o" for shutdown. "-" for startup and "o" for shutdown)

After cleaning finished, it is recommended not to shut down the robot and keep it in the charging state so as to better for next cleaning

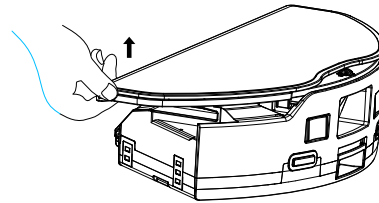


3. Spare parts maintenance / 3. 1 Dustbin and filter materials

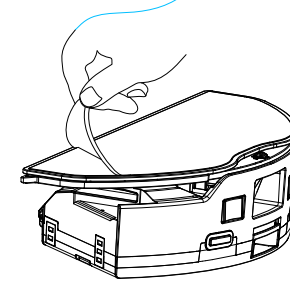
1 Take out the dust tank.
step



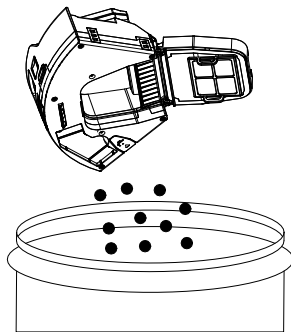
2 Take off the mopping shelf.
step



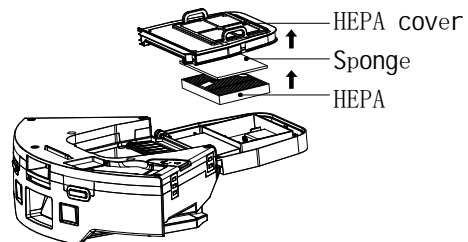
3 Take off the mop cloth.
step



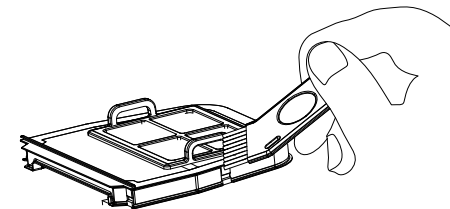
4 Open the dust tank and dumping rubbish.
step



5 Remove the HEPA cover, sponge and HEPA.
step

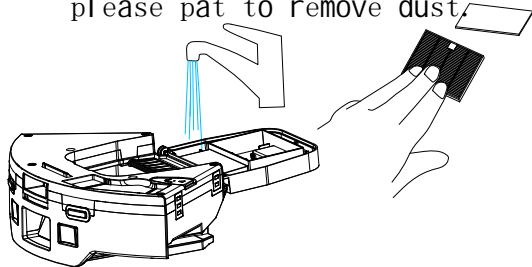


6 Use knife tool to clean the filter dust both side.
step



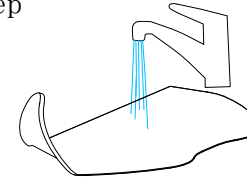
3.Parts maintenance/3.1 Dusttank and filter materials

7 Flush the dust tank and sponge with water.
step HEPA does not recommend washing, please pat to remove dust.



Tips: The HEPA cannot be washed.

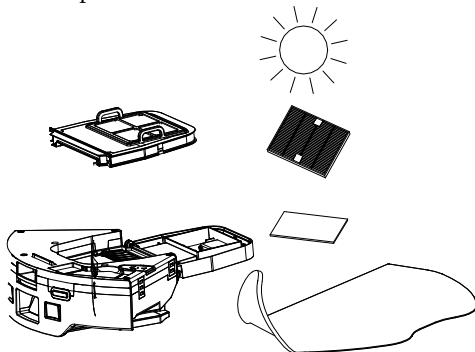
8 Wash mop cloth.
step



Tips:

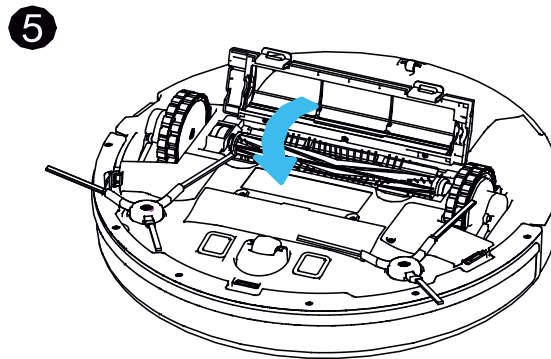
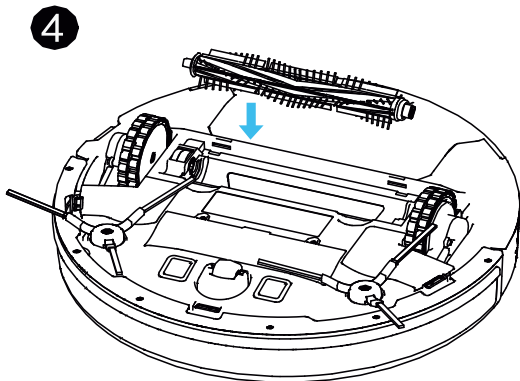
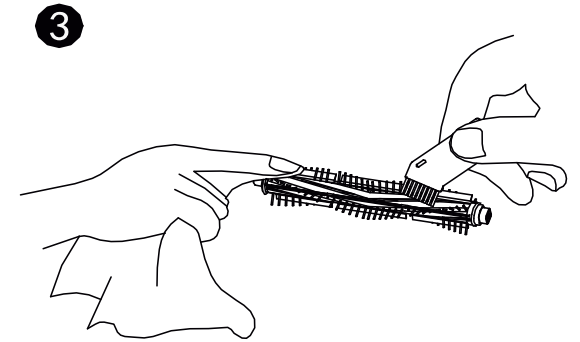
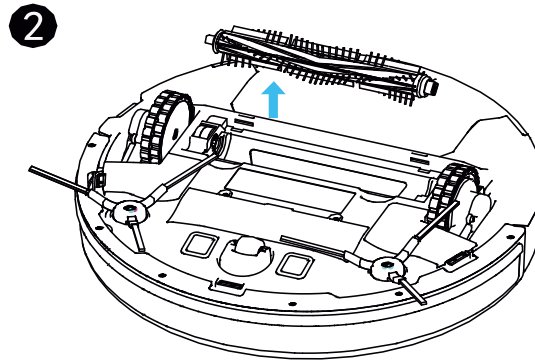
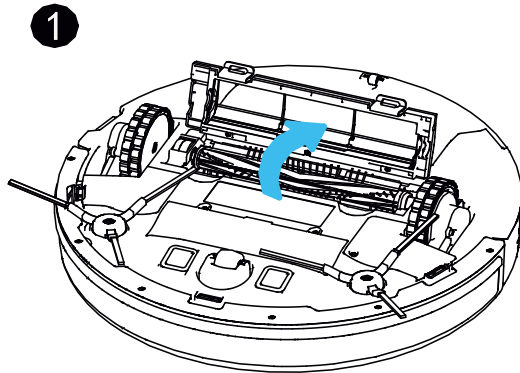
1. If the mop cloth is too dirty, it will affect the mopping effect, please clean it in time.
2. Be sure to remove the mop cloth for cleaning and wring out for installation and use. Do not install in 2 in 1 tank for cleaning.
3. It is recommended to replace the mop every 6-12 months to ensure the cleaning effect.

9 Sunshine dust tank, sponge and mop cloth.
step



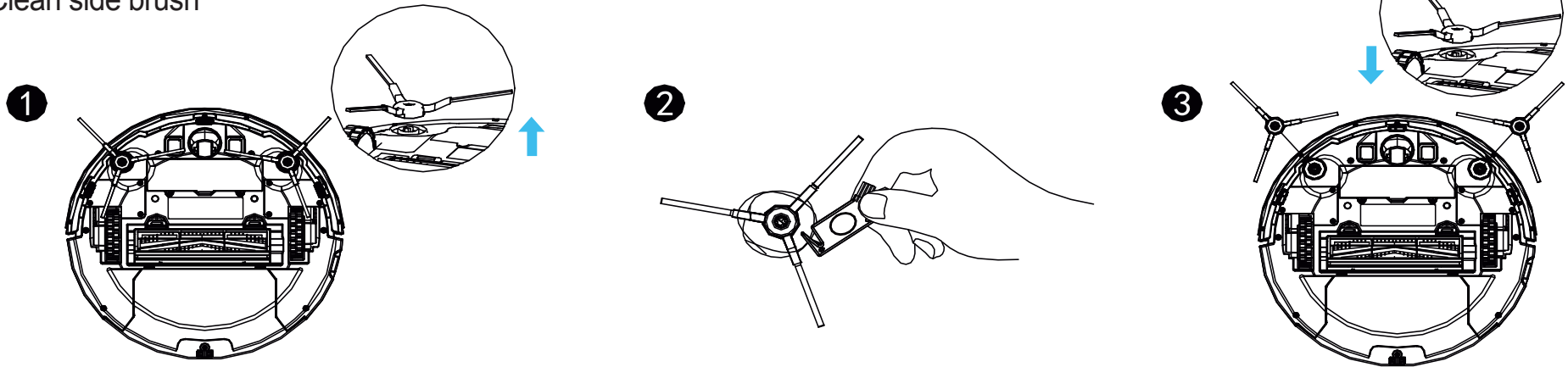
3. Parts maintenance / 3. 2 Roller brush and side brush

Clean roller brush

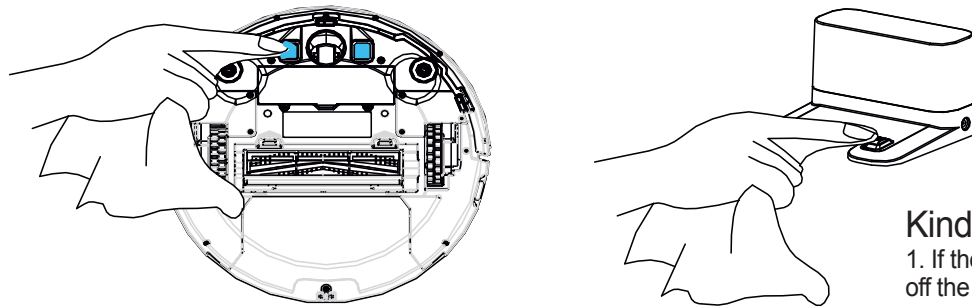


3. Parts maintenance / 3. 2 Roller brush and side brush

Clean side brush



3. Parts maintenance / 3. 3 Electrodepad , anti-drop sensor, bumper Clean electrode pad

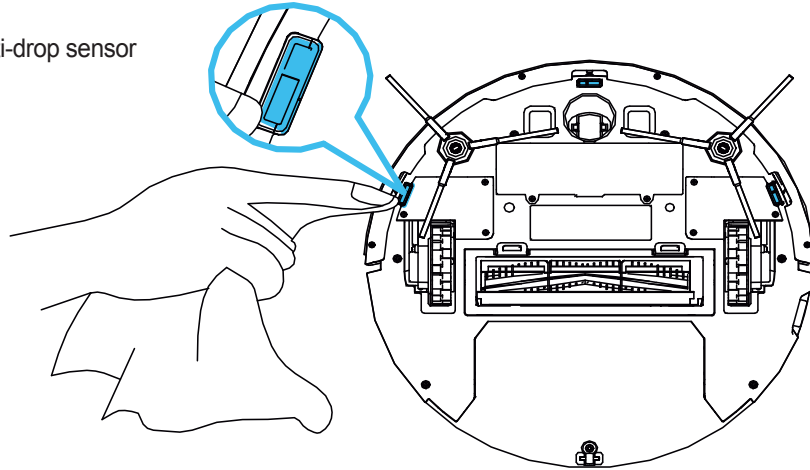


Kindly reminder:

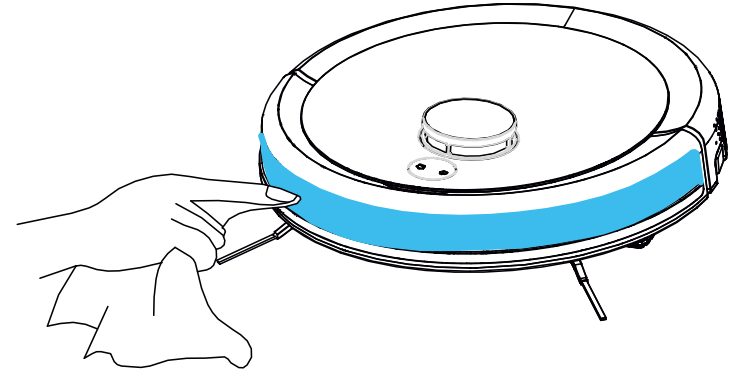
1. If the product is not used for a long time, please fully charge it before storage, and then turn off the power switch
And insist on replenishing the battery every 3 months to prevent over discharge of the battery
2. If the battery is over discharged or not used for a long time, the product may not be charged.
Please contact our after-sales service department for maintenance. Do not disassemble it by yourself

3. Parts maintenance / 3. 3 Robot electrode pad, anti-drop sensor, bumper

clean anti-drop sensor

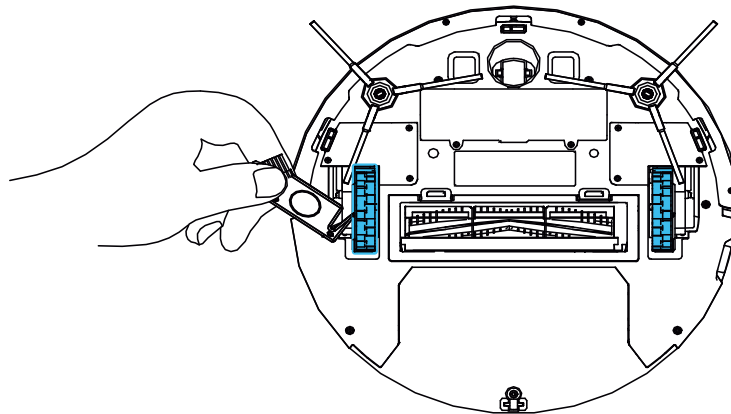


Clean bumper

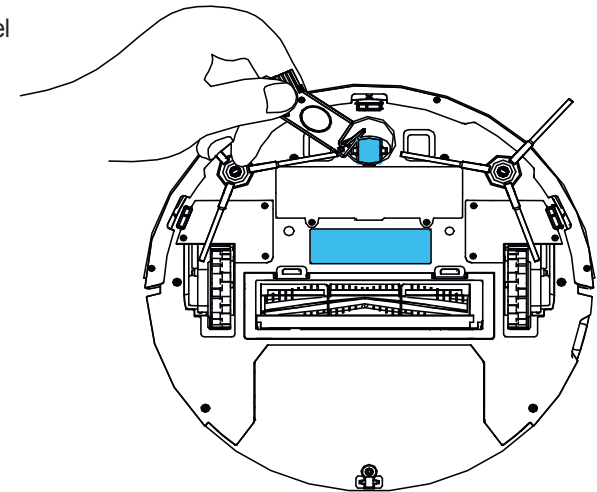


3. Parts maintenance / 3. 4 Drive wheel and universal wheel

Clean drive wheel



Clean universal wheel



4. Light effect and alarm reminder

Light effect reminder

Robot status	Light
Cleaning model	White light on
Charging	White light flash
Battery low	Red light flash
Robot fault	Red light flash or on

alarm reminder

Reminder voice	Fault reason	Solution
Pls check wheel if stuck	Drive wheel abnormal	Clean drive wheel entanglement
Pls check side brush if stuck	Side brush abnormal	Clean side brush entanglement
Pls clean drop sensor then restart	Ground inspection abnormal	Clean the dust of ground inspection face
Pls check roller if stuck	Roller entanglement	Clean roller brush entanglement
Dustbin missed, pls fix and restart	Dustbin fixed abnormal	Confirm dustbin fixed or refixed
Pls check bumper if stuck	Bumper back abnormal	Tap bumper and clean dust

5. Routine fault inspection

When use robot, happen below situation can see and solve.

Series	Fault status	Root cause	Solution
1	Robot can't charging	Robot didn't connect well with charge base's electrode pad.	Make sure robot connected properly with charge base's electrode pad.
		CHARGE ADAPTER POWER off, robot switch power off	Make sure charge adapter turn on, robot switch turn on.
2	Robot can't back to charging base	Charge base position is properly or obstructed by obstacle	Refer 2.2 article put charge base properly.
3	Robot cleaning abnormal	Robot entanglement by wire, curtain carpet	Robot will try to auto back to normal, if can't pls help by manual
		Side brush stuck, rotating slow caused pause, alarm	Clean side brush entanglement staff, see robot rotate status. If still have problem pls contact after-sales
4	Cleanning not finish and back to recharge	Robot feel battery shortage, auto back to recharge	Robot charging .
		Wooden floor, tile floor robot working speed will have slight different	Robot runtime will different depends on the complex of rooms, qty, cleaning mode

Series	Fault status	Root cause	Solution
6	Robot auto cleaning with pre set	Robot switch off. Can't sweep pre set	Robot switch on
		Pre set cancelled	Set up pre set on APP
7	Happened leak sweep, scheduling mess, App mapping not scheduling when cleaning	Wires, shoes height on floor impact cleaning. Carpet caused wheel slipped sometimes.	Wires,shoes thick carpet etc tidy up in advance. High threshold room clean separate .
8	Happened re cleaning, leak area when cleaning.	Auto clean the leak area previous when restart clean	Pls don't manual disturb robot cleaning
		Scanning triangulation will have different due to diverse room status.Will have small leak area	Put robot in properly position
9	Working voice loudly.	Roller,side brush entanglement.Dustbin,filter stuck	Maintenance roller,side brush,dustbin,filter etc.

6. Product parameter

Item	LDS Robot Vacuum		
Robot Input voltage	DC19V 1.5A		
Charge base			
Output voltage (V)	DC19V	Rated output current(A)	1.5A
Model	DOCK		
Input voltage	DC19V 1.5A		
Output voltage	DC19V 1.5A		
Adapter			
Model	R241-1901500U		
Input voltage	100-240V-50/60Hz 1.5A		
Output voltage	19V=1500mA		

* As to product will continue improve, the data subject to real object, our company reserve the right for product update.

Parts category	Harmful substances					
	(Pb)	(Hg)	(Cd)	(Cr(VI))	(PBB)	(PBDE)
Plastic parts	○	○	○	○	○	○
Hardware parts	x	○	○	○	○	○
PCBA modules	x	○	○	○	○	○
E components	○	○	x	○	○	○
Battery	○	○	○	○	○	○
Plug cord (Hardware portion)	x	○	○	○	○	○
Note: this form is prepared in accordance with SJ / 11364						
○: indicates that the content of the hazardous substance in all homogeneous materials of the component is below the limit specified in the current effective version of GB / t26572						
x: It means that the content of the hazardous substance in at least one homogeneous material of the component exceeds the limit specified in the current effective version of GB / t26572, and there is no mature alternative in the industry at present, which complies with the environmental protection requirements of the EU ROHS directive						



The number in this logo indicates that the environmental protection service life of the product under normal use is 10 years

Implementation standard

GB4706. 1-2005

GB4343. 1-2018

GB4706. 7-2014

GB4343. 1-2012

Certificate

Production date: _____

Inspector: _____